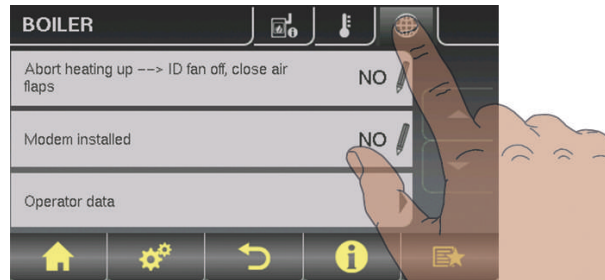


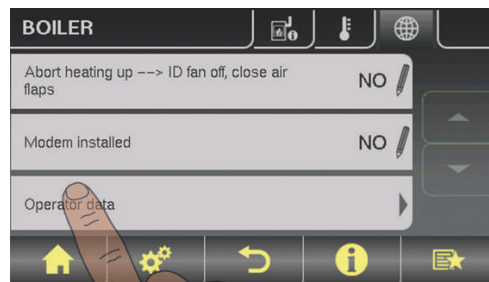
1 Operator data

1.1 Setting operator data

- Go to the “Boiler” menu



- Open the general settings from the “Boiler” menu
- Depending on the boiler type, move down to the last entry by using the “DOWN arrow” key



- Open the “Operator data” sub-menu



- Click on the relevant parameter to change the settings

1.2 Facility name

The facility name is a unique identification number for the boiler which can be found on the identification plate:

froling		Heizkessel- und Behälterbau Ges.m.b.H 4710 Grieskirchen, Industriestraße 12 Tel.: +43 (0) 7248/606-0	CE
Kesseltyp	T4-70		
Bezeichnung der Maschine / Kesselklasse	Heizkessel gem. EN 303-5 / Klasse 5		
Herstellnummer / Baujahr	100123456.X		
Nennwärmeleistung / -bereich	69 kW / 20,7 - 69 kW		
Nenn-Brennstoffwärmeleistung	73,5 kW		
Zulässiger Brennstoff gem. EN 14961	Teil 2: Holzpellets D06 Klasse A1 Teil 4: Hackschnitzel P16A-P45A Klasse A2		
max. zulässige Betriebstemperatur	90°C		
max. zulässiger Betriebsdruck	3 bar		
Wasserinhalt	220 l		
Elektroanschluss / Leistungsaufnahme	400 V ; 50 Hz ; 16 A / 54 - 193 W		

The identification plate displays a 9-figure facility name and a letter which represents the year of manufacture.

In the example above: **100123456.X**

- **Facility name: 100123456**

- **Code for year of manufacture: X**

NOTICE! Only the 9-figure number needs to be entered as the facility name. If the number on the identification plate on your boiler is not a 9-figure number like the one shown above, please contact customer services. Froling will then provide you with the number.



- Enter the facility name
 - Enter the number as it is on the identification plate minus the “.” and the “letter”:
100123456.X (identification plate) ⇒ **100123456** (number entered into controller)
- Save your entry by tapping the confirm symbol

1.3 Customer number

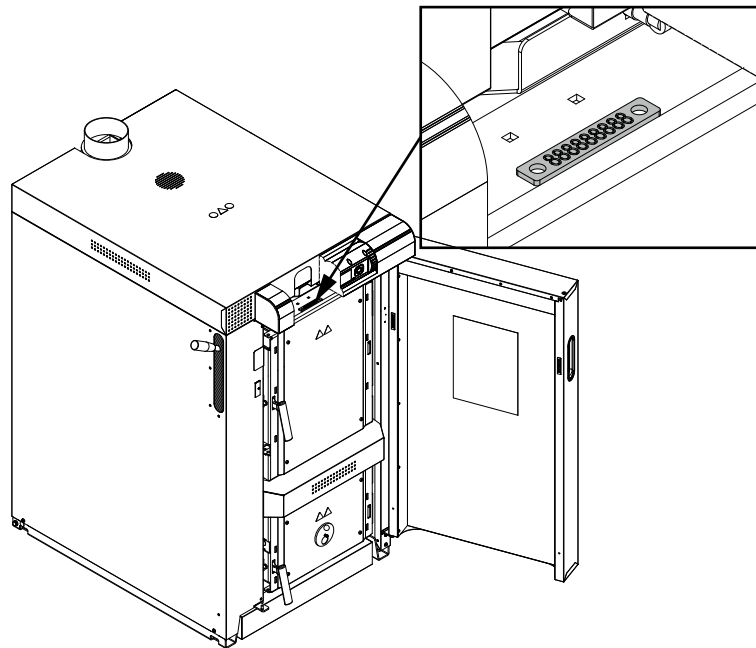
- Read customer number of invoice or delivery note
- Enter the customer number
- Save your entry by tapping the confirm symbol

1.4 Stamped boiler number

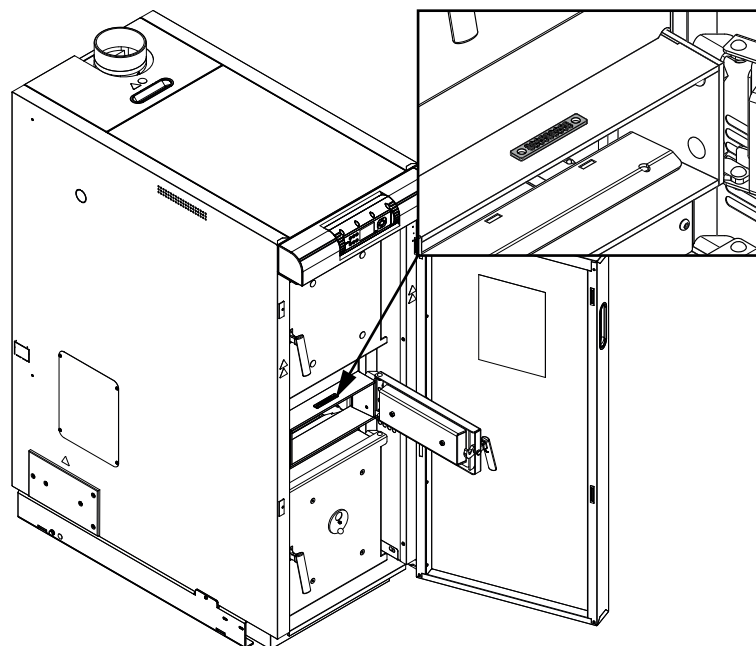
Following chapters provide an overview of the position of the stamped boiler number on the respective boilers

- Enter the boiler number
- Save your entry by tapping the confirm symbol

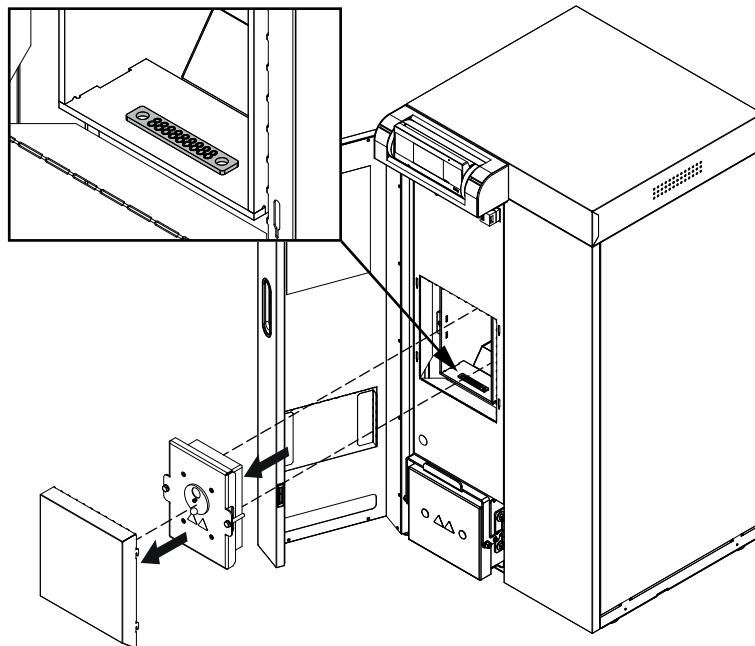
1.4.1 Fire wood boiler S1 Turbo



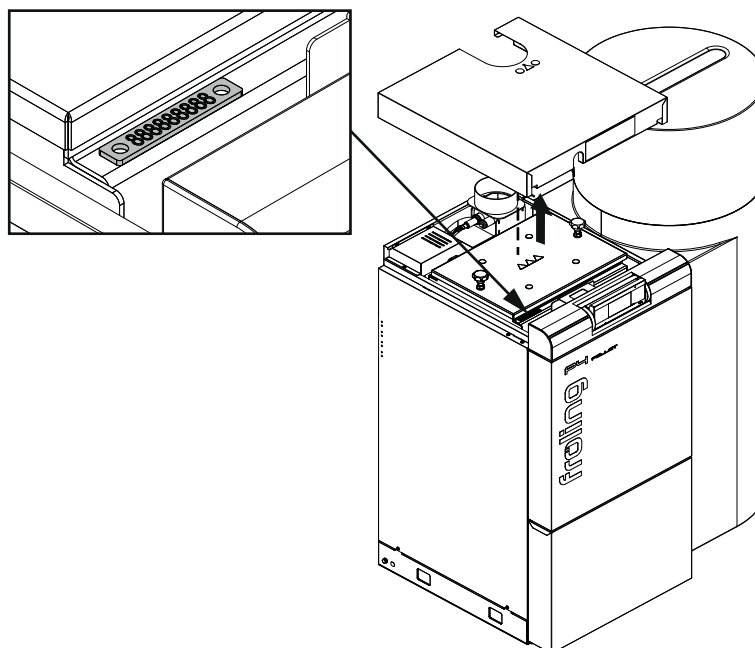
1.4.2 Fire wood boiler S3 / S4 Turbo / SP Dual



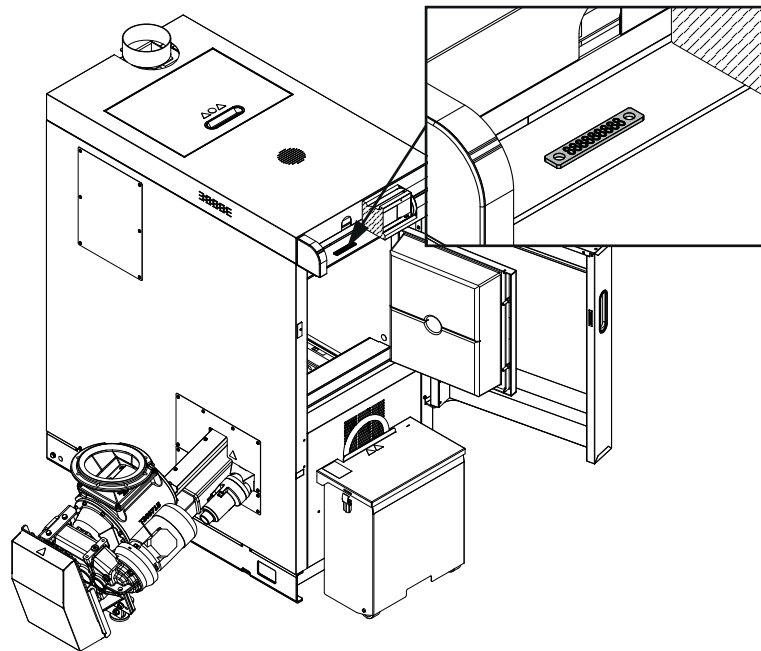
1.4.3 Pellet boiler PE1 Pellet



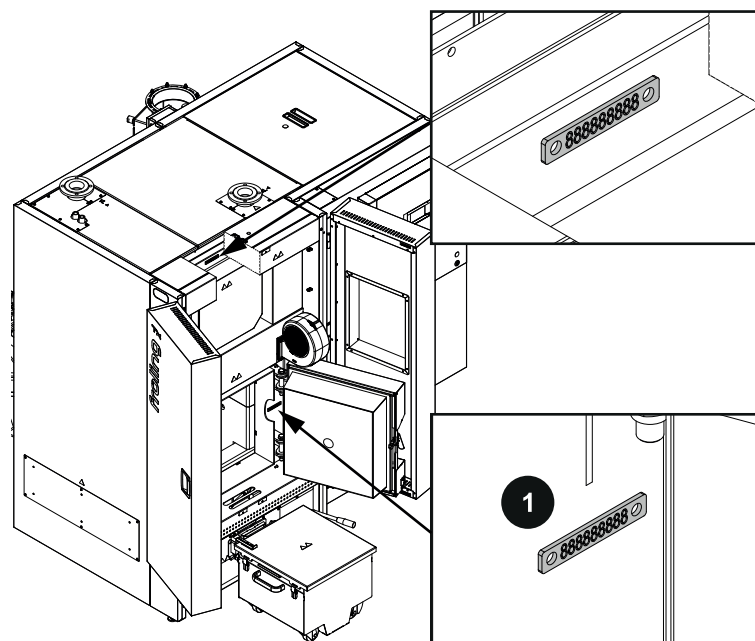
1.4.4 Pellet boiler P4 Pellet



1.4.5 Wood chip boiler T4

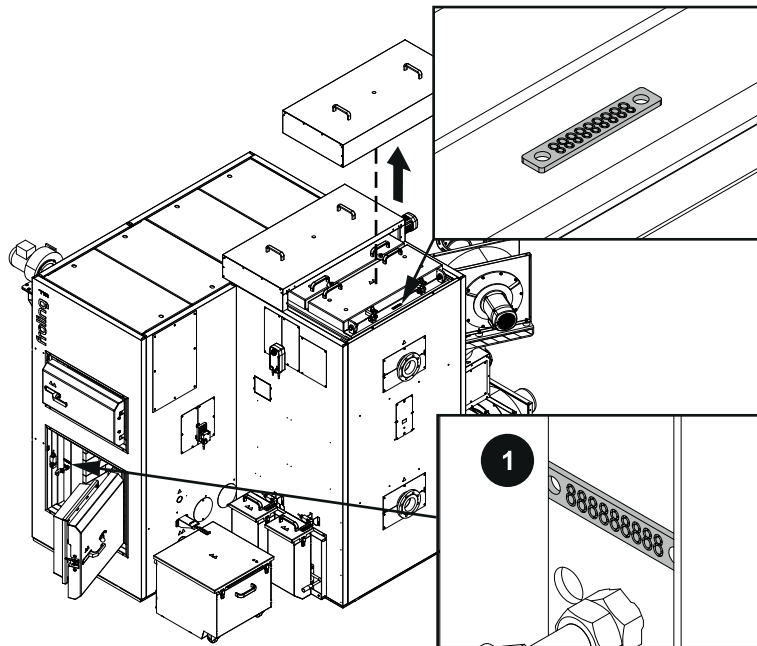


1.4.6 Wood chip boiler TX



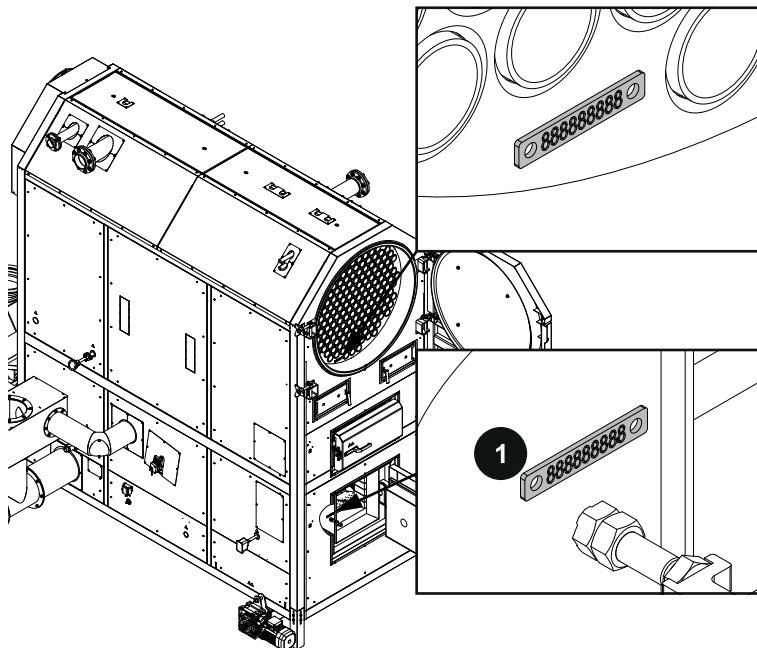
NOTICE! Enter the boiler number of the combustion chamber (1)

1.4.7 Turbomat TM



NOTICE! Enter the boiler number of the combustion chamber (1)

1.4.8 Lambdamat LM



NOTICE! Enter the boiler number of the combustion chamber (1)